

Staticmaster®

Model P-2042 Nuclespot™ Alpha Ionizer



The model **P-2042** Nuclespot Alpha Ionizer is a small, self powered ionization device that quickly eliminates static charge. It's designed for use in a variety of applications where space is limited, and is ideal for installation inside equipment. Test results have shown that alpha energy ionizers are the only technology that does not contribute to increased particle levels in the environment.

An ideal product for analytical laboratories and cleanrooms, the model P-2042 is appropriate for narrow webs, small trimming jobs, and photo processing. It's been found to be well suited for use in mini environments in semiconductor, flat panel display, optics and storage media manufacturing.

Optimum efficiency is obtained by positioning the unit one inch from the target and grounding the ion source. The model P-2042 requires no power supply or electrical connections, resulting in ease of installation and flexibility.

Note on Ion Source

All NRD ion sources are encapsulated in precious metals by means of a patented process. This results in a static eliminator which resists oxidation, solvents, heat, cold and vibration.

To maintain peak performance and conform to government regulations, ionizers are available on a one-year lease.

Model P-2042 Specifications

Isotope: Polonium-210

Material: Aluminum and stainless steel

Emission: Alpha

Activity: 5 mCi (185 MBq)

Available Models:

Aluminum, model P-2042-1000

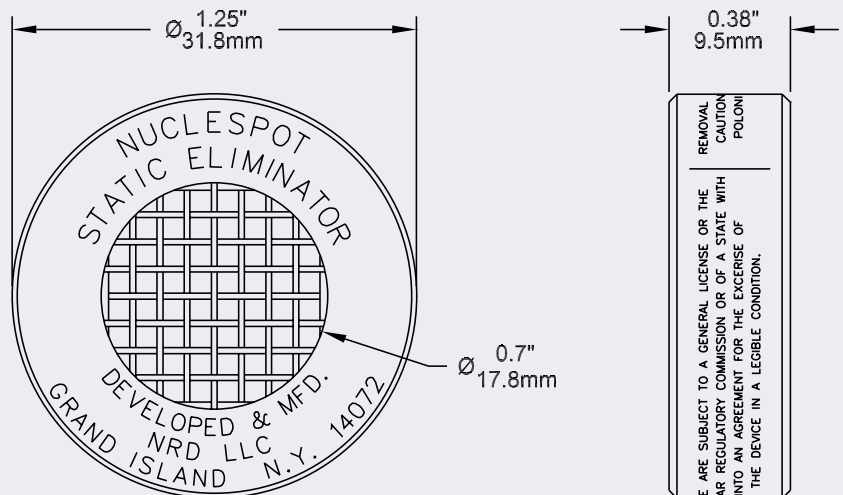
Weight: 0.5 oz (14 g)

316 stainless, model P-2042-2000

Weight: 1.4 oz (40 g)

Options: Can be used with the model 4710-1 and 4710-2 Nuclespot conversion kits

Decay Time: 1.2 seconds, 1.5", 1,000 to 100 V



Notice: NRD warrants that these materials are reasonably fit for the purpose described. We believe that specifications and technical information presented are based on test methods that produce accurate results. The foregoing limited warranty is expressly made in lieu of, and no other express and no implied warranty of merchantability or fitness for a particular purpose is made. NRD, LLC, will not be liable for incidental, consequential, special, exemplary or punitive damages. The limited warranty will not apply to defects or damage due to accidents, neglect, misuse, alterations, error or failure to properly maintain, clean or repair products.



2937 Alt Boulevard / PO Box 310 / Grand Island, NY 14072-0310

TOLL FREE 800 525 8076 / PHONE 716 773 7634 / FAX 716 773 7744 / EMAIL sales@nrdinc.com / WEB www.nrdinc.com