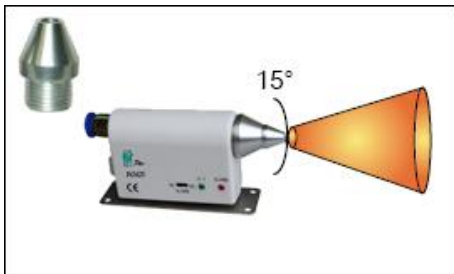


PTEC™ NO1000 Series
Ionizer Output Nozzle Tips

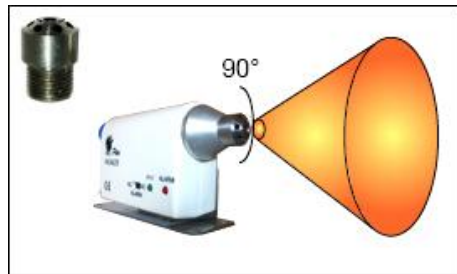
Change Airflow of Ionizers To Handle Difficult Point-Of-Use Ionizer Applications

Transforming Technologies' ionizing nozzles can handle unique and difficult point-of-use ionization applications with interchangeable nozzle tips. Change airflow of the IN3425, IN3425PE, IN4000, IN4000PE, IN4200, IN4200PE and IN6430 ionizers with output nozzle tips. The following tips may be substituted depending on the application.

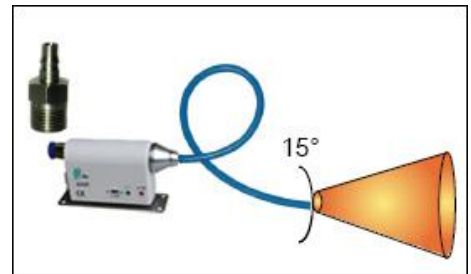
- **N0010: Standard** – Creates a 15° output of air
- **N0020: Wide Angle** – Creates a 90° output of air
- **N0030: Luer Lock** – Allows you to attached a flexible tube to ionizers (tube is not included)
- **N0040: Long Range** – A 2" long extension tube with a 15° output of air
- **N0050: Bendable** – This is a metal tube which can be bent and stays into the desired position.
- **N0060: Manifold** – A perforated tube which creates a wall of air. N0060 Lengths: 6",8",12",16 and 18" long



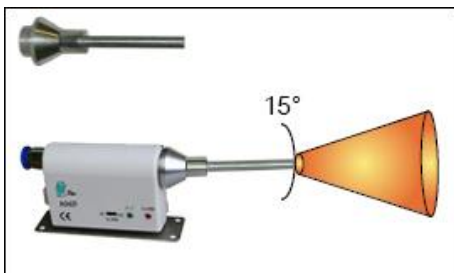
N0010: Standard Nozzle



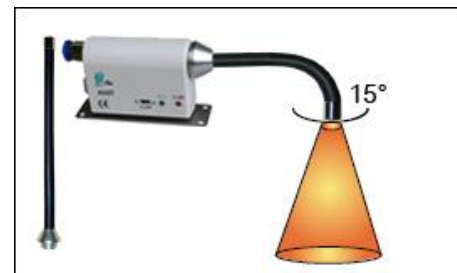
N0020: Wide Nozzle



N0030: Luer Lock Nozzle



N0040: Long Range Nozzle



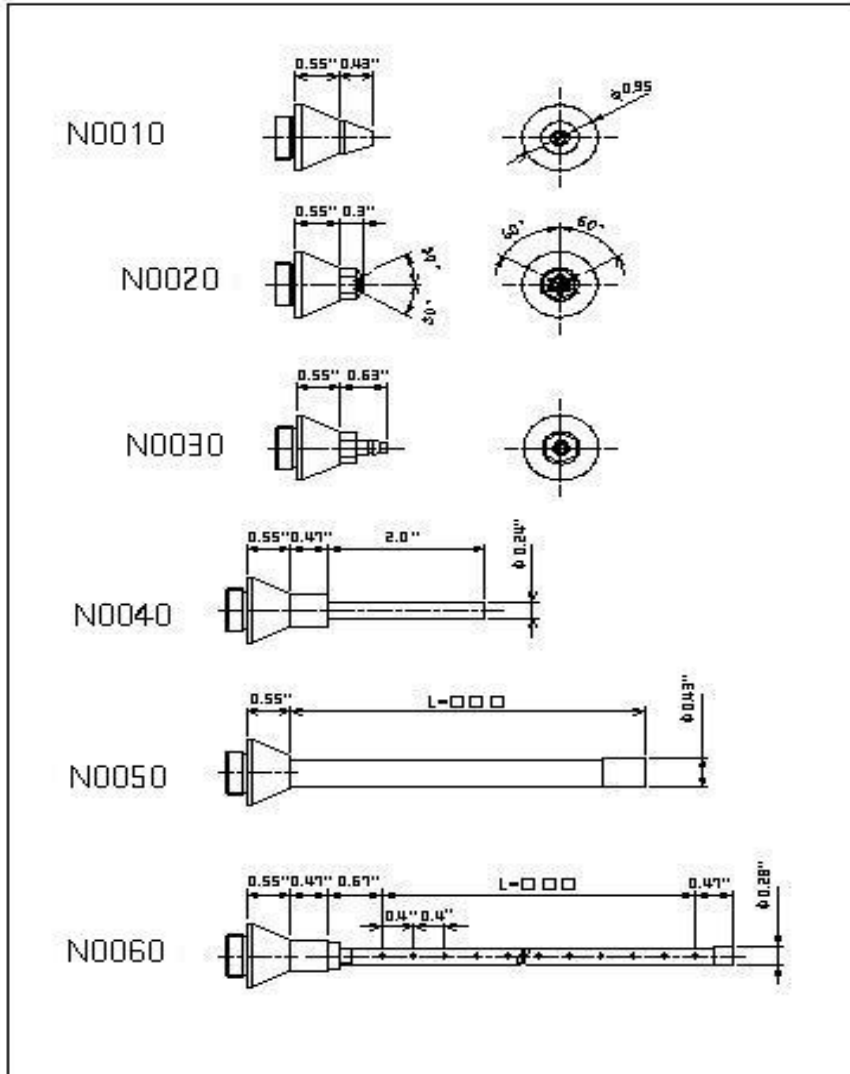
N0050: Bendable Nozzle



N0060: Manifold Nozzle

This document is prepared for our customers as a service, and is to the best of our knowledge true and accurate. However, it is understood and agreed by the users of this document that we will accept no liability for the conclusions reached. Users of this document may therefore wish to perform additional testing before determining that products mentioned are suitable.

PTEC™ NO1000 Ionizer Tips



Applications:

Ionizers are designed to neutralize electrostatic charges in bench top environments, sensitive materials assembly, Medical Device, SMT, Electronics Assembly, Automotive packaging, clean room and laboratory environments. The NO1000 ionizer tips change the airflow output of ionizers to handle unique point-of-use ionizer applications

About Transforming Technologies

Since 1998, Transforming Technologies has helped electronic manufacturing facilities to protect their products and processes from the many serious problems associated with static electricity.

Transforming Technologies offers a wide range of unique and outstanding products to detect, protect, eliminate and monitor electrostatic charges. Our products are integral components of an effective static control program.